

8

7

6

5

4

3

2

1

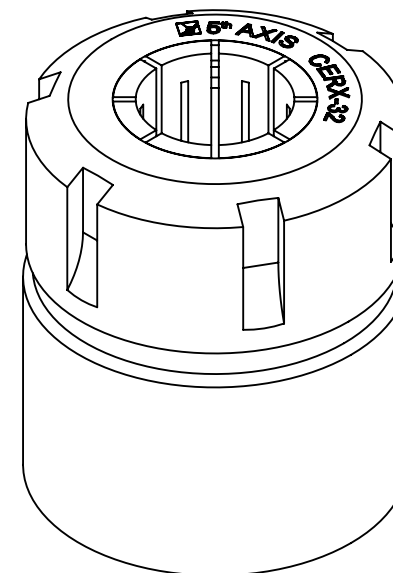
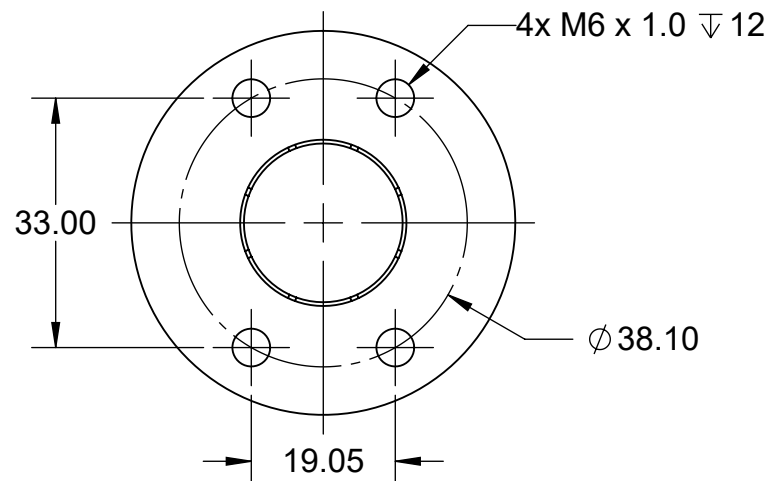
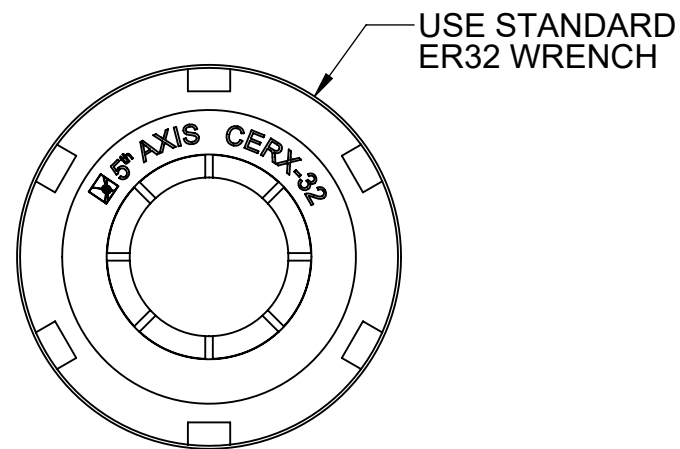
D

D

CERX-32

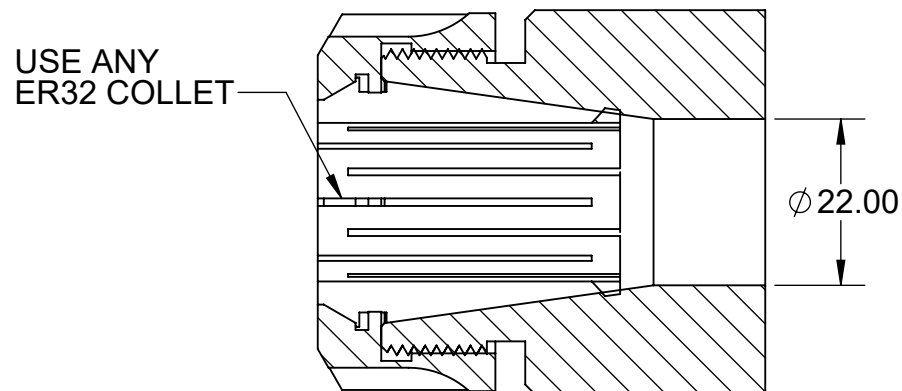
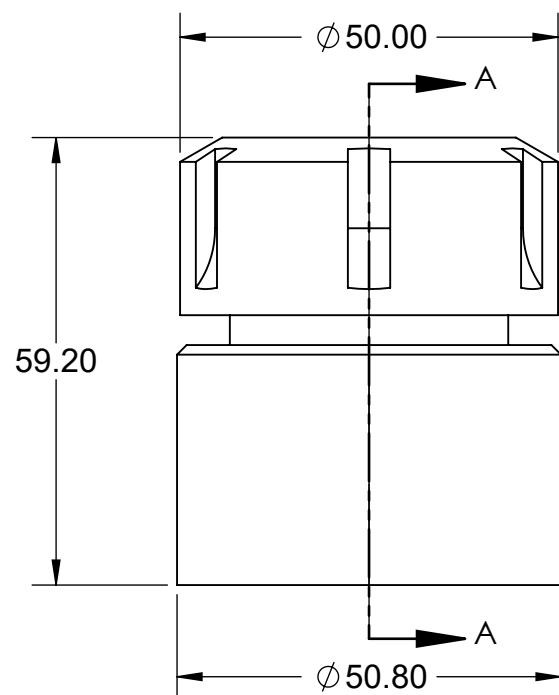
C

C



B

B



SECTION A-A

A

A

MILLIMETER <small>DRAWN IN ACCORDANCE WITH ASME Y14.5-2009</small> WWW.5THAXIS.COM 7140 ENGINEER ROAD SAN DIEGO, CA 92111 P (858) 505-0432 F (858) 505-9344	TOLERANCES <small>UNLESS OTHERWISE SPECIFIED</small> x \pm 0.1 .xx \pm 0.01 .x \pm 0.05 .xxx \pm 0.005 ANGULAR \pm 0.5° THIRD ANGLE PROJECTION			
		DESCRIPTION ROUND BAR FIXTURE		
SIZE B	PART NO. CERX-32	REV A	DO NOT SCALE DRAWING SCALE 1:1 WEIGHT: SHEET 1 OF 2	

8

7

6

5

4

3

2

1

8

7

6

5

4

3

2

1

D

D

C

C

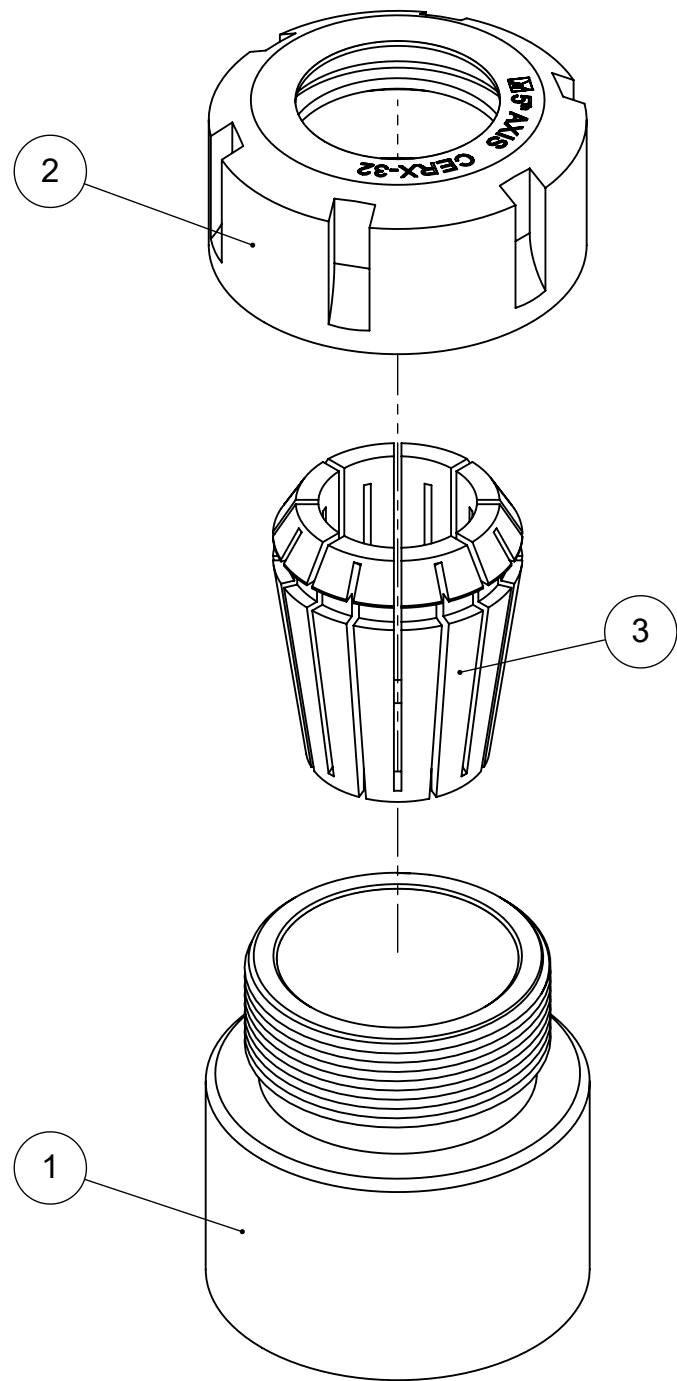
B

B

A

A

CERX-32



ITEM NO.	PART NUMBER	DESCRIPTION	QTY.
1	CERX32-1	BODY	1
2	CERX32-2	NUT	1
3	TECHNIK 04232-21	COLLET	1
FOR REFERENCE ONLY - NOT FOR RESALE			

MILLIMETER <small>DRAWN IN ACCORDANCE WITH ASME Y14.5-2009</small> <small>WWW.5THAXIS.COM</small> <small>7140 ENGINEER ROAD SAN DIEGO, CA 92111</small> <small>P (858) 505-0432 F (858) 505-9344</small>	TOLERANCES <small>UNLESS OTHERWISE SPECIFIED</small> x ± 0.1 .xx ± 0.01 .x ± 0.05 .xxx ± 0.005 ANGULAR ± 0.5° <small>THIRD ANGLE PROJECTION</small>		
		DESCRIPTION ROUND BAR FIXTURE	
SIZE B		PART NO. CERX-32	
<small>DO NOT SCALE DRAWING</small>		<small>SCALE 1:1</small>	<small>WEIGHT:</small>
			<small>SHEET 2 OF 2</small>

8

7

6

5

4

3

2

1