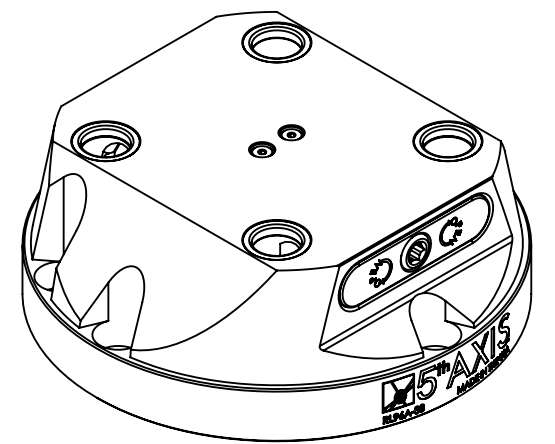


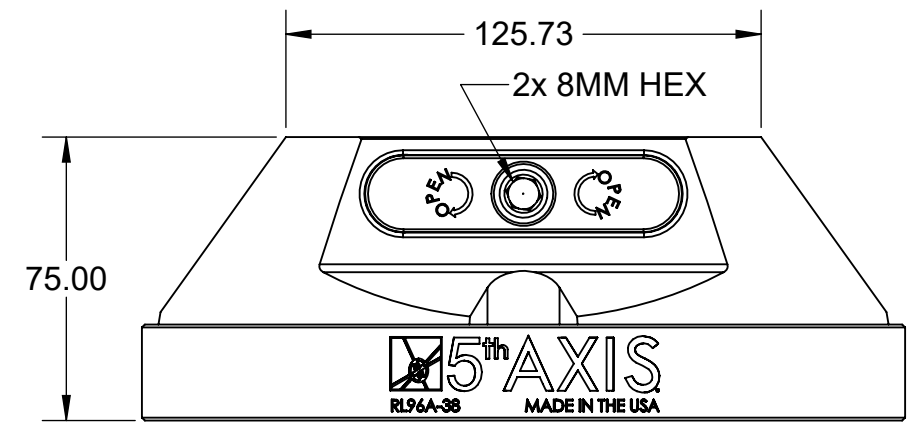
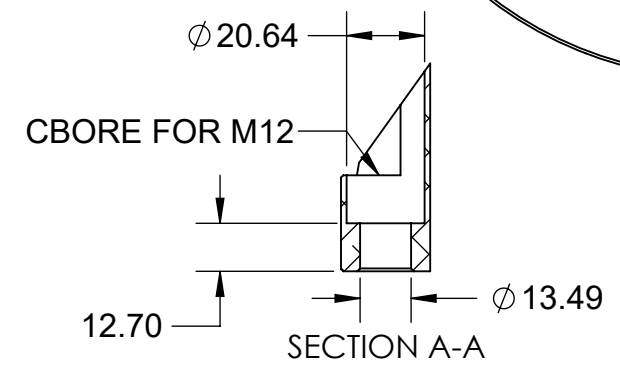
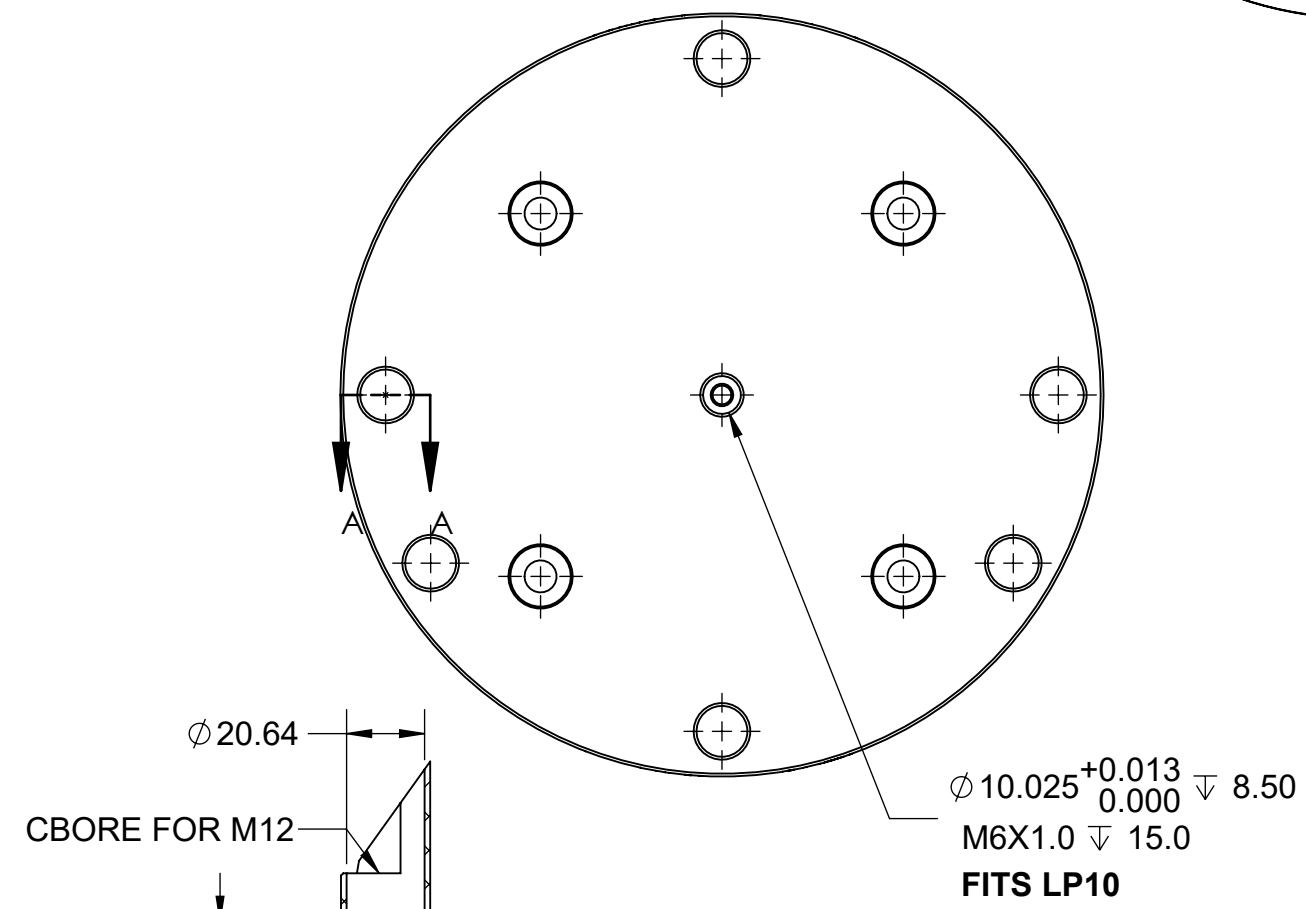
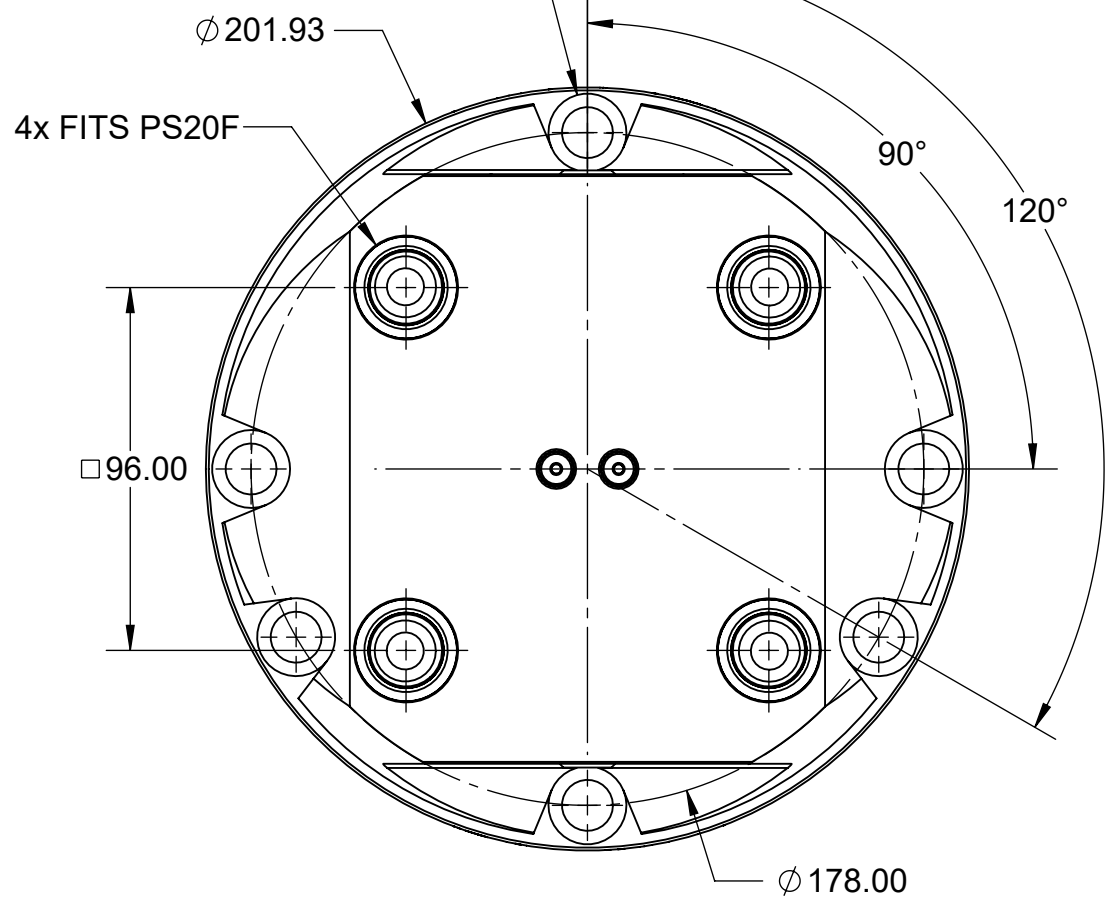
8 7 6 5 4 3 2 1


MATERIAL:
RL96A-38: 6061 ALUMINUM BODY

RL96A-38



4x M12 AT 90° ON 178.00MM PCD
 3x M12 AT 120° ON 178.00MM PCD



MILLIMETER		TOLERANCES UNLESS OTHERWISE SPECIFIED			
DRAWN IN ACCORDANCE WITH ASME Y14.5-2009		x ± 0.1 .xx ± 0.01 .x ± 0.05 .xxx ± 0.005 ANGULAR ± 0.5°			
WWW.5THAXIS.COM		THIRD ANGLE PROJECTION		DESCRIPTION ROCKLOCK™ 96MM RISER	
7140 ENGINEER ROAD SAN DIEGO, CA 92111		SIZE B	PART NO. RL96A-38	REV A	
P (858) 505-0432 F (858) 505-9344		DO NOT SCALE DRAWING		SCALE 1:2	WEIGHT:
				SHEET 1 OF 2	

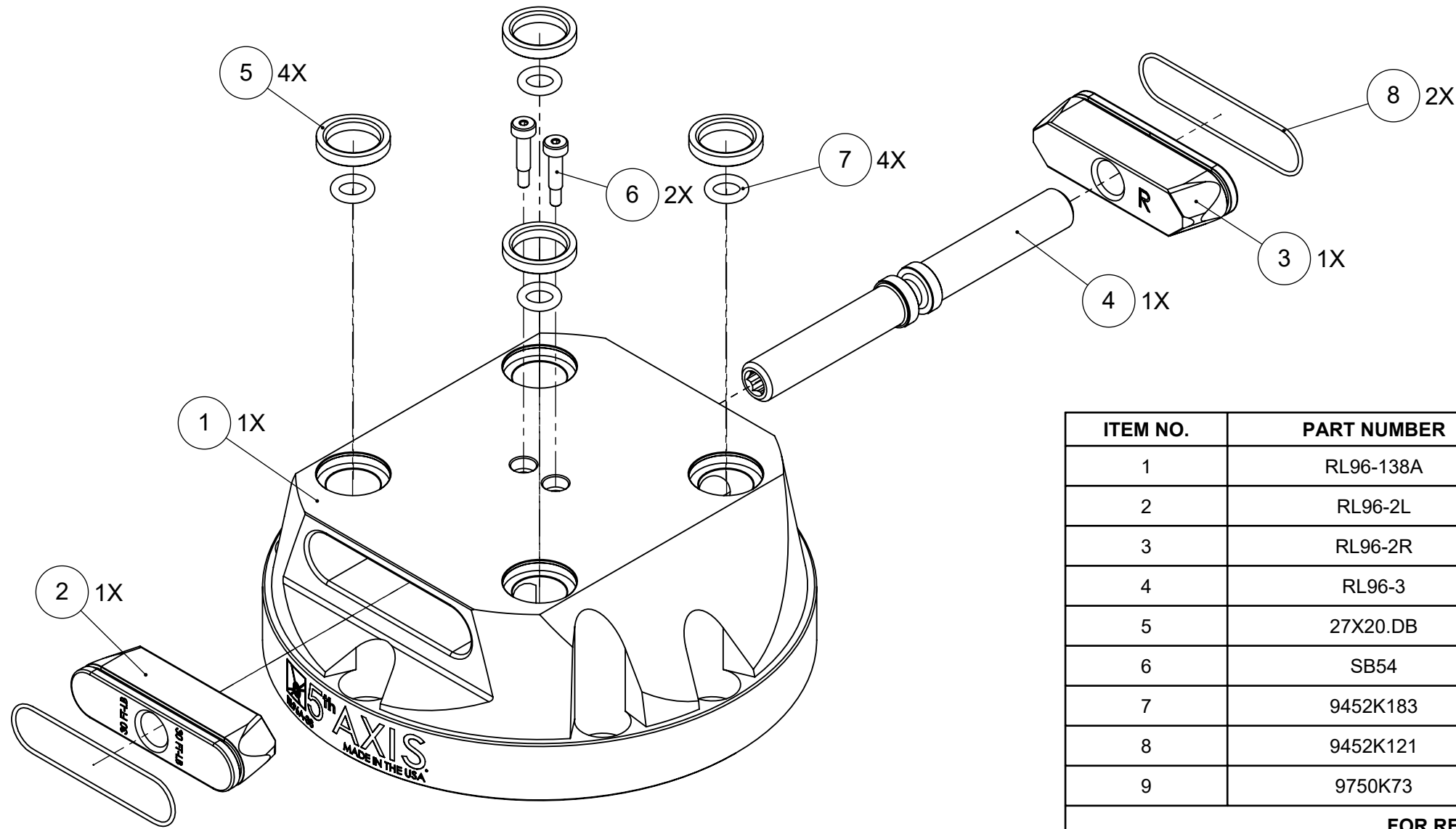
8 7 6 5 4 3 2 1

D
C
B
A
A

D
C
B
A
A


MATERIAL:
RL96A-38: 6061 ALUMINUM BODY

RL96A-38



ITEM NO.	PART NUMBER	DESCRIPTION	QTY.
1	RL96-138A	ROCKLOCK™ RISER	1
2	RL96-2L	LEFT ROCKLOCK™ TRUCK	1
3	RL96-2R	RIGHT ROCKLOCK™ TRUCK	1
4	RL96-3	ROCKLOCK™ LEAD SCREW	1
5	27X20.DB	PRECISION BUSHING	4
6	SB54	SHOULDER BOLT	2
7	9452K183	BASE O-RING	4
8	9452K121	TRUCK O-RING	2
9	9750K73	PLASTIC PLUG (NOT SHOWN)	4

FOR REFERENCE ONLY - NOT FOR RESALE

MILLIMETER <small>DRAWN IN ACCORDANCE WITH ASME Y14.5-2009</small> <small>WWW.5THAXIS.COM</small> <small>7140 ENGINEER ROAD SAN DIEGO, CA 92111</small> <small>P (858) 505-0432 F (858) 505-9344</small>	TOLERANCES <small>UNLESS OTHERWISE SPECIFIED</small> x ± 0.1 .xx ± 0.01 .x ± 0.05 .xxx ± 0.005 ANGULAR ± 0.5° THIRD ANGLE PROJECTION				
		DESCRIPTION ROCKLOCK™ 96MM RISER			
<small>SIZE</small> B <small>PART NO.</small> RL96A-38 <small>REV</small> A		<small>DO NOT SCALE DRAWING</small>	<small>SCALE 1:2</small>	<small>WEIGHT:</small>	<small>SHEET 2 OF 2</small>