

8

7

6

5

4

3

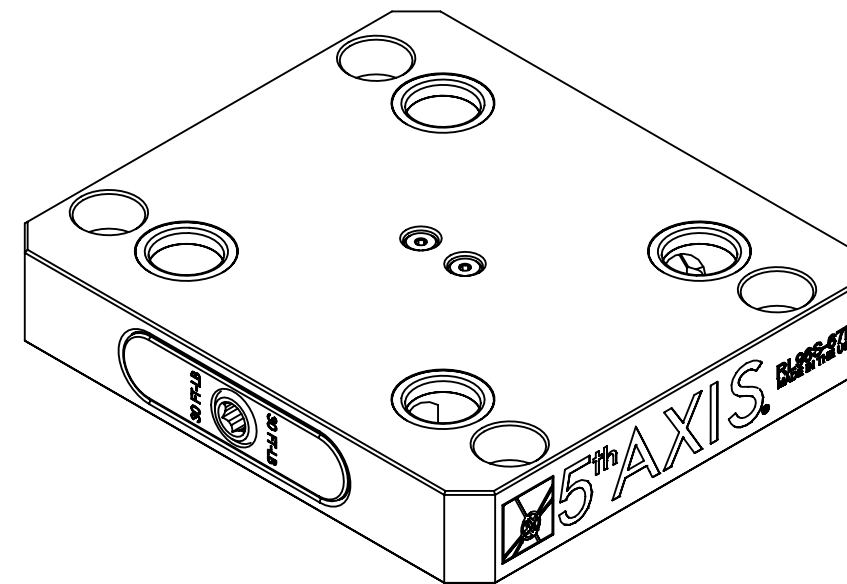
2

1

MATERIAL:
RL96S-67M: 1018 STEEL BODY

1. USE TWO SHOULDER BOLTS TO LOCATE AND CLOCK THE BASE

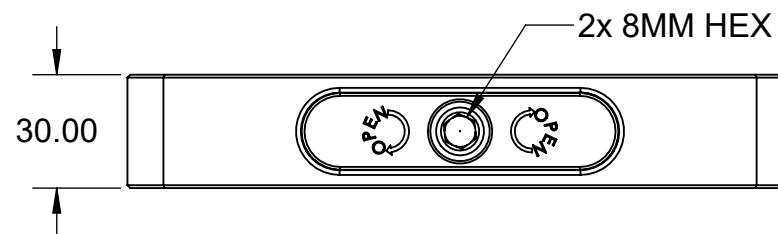
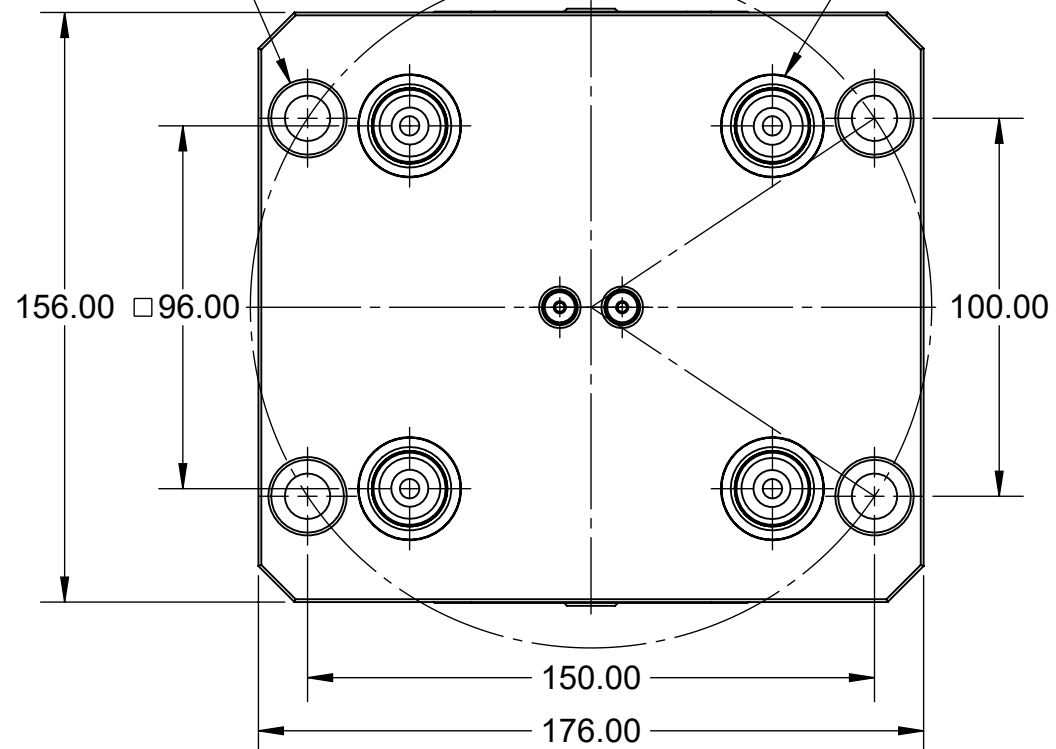
RL96S-67M



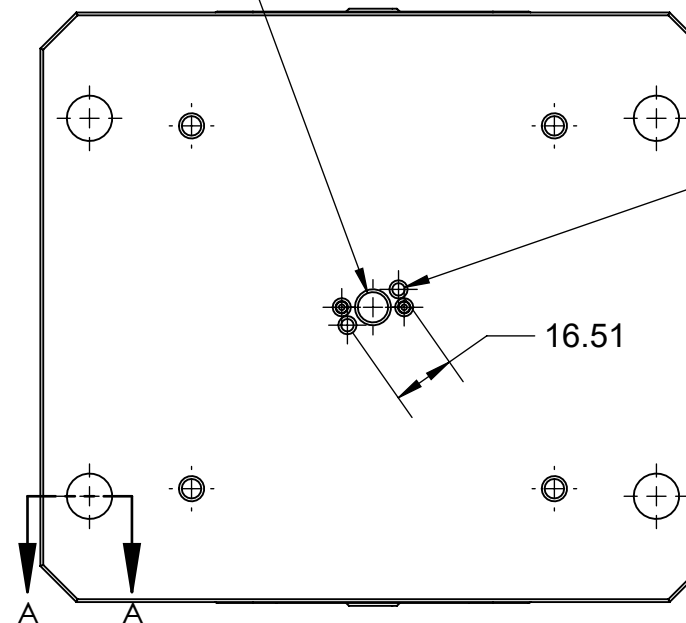
4x M12 AT 100.00MM x 150.00MM GRID

1. COUNTERBORES DESIGNED TO BE USED WITH SB/SHCS

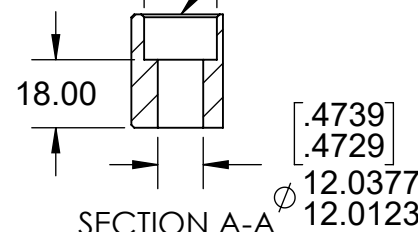
4x FITS PS20F



$\phi 8.026^{+0.013}_{0.000} \downarrow 3.68$



$\phi 19.25$ CBORE FOR M12 SB/SHCS



ROCKLOCK™ 96MM LOW-PROFILE BASE

MILLIMETER		TOLERANCES UNLESS OTHERWISE SPECIFIED		DESCRIPTION ROCKLOCK™ 96MM LOW-PROFILE BASE	
DRAWN IN ACCORDANCE WITH ASME Y14.5-2009		x ± 0.1 .xx ± 0.01 .x ± 0.05 .xxx ± 0.005 ANGULAR ± 0.5°			
WWW.5THAXIS.COM		THIRD ANGLE PROJECTION		SIZE B PART NO. RL96S-67M REV A	
7140 ENGINEER ROAD SAN DIEGO, CA 92111				DO NOT SCALE DRAWING	
P (858) 505-0432 F (858) 505-9344				SCALE 1:2	
				WEIGHT:	
				SHEET 1 OF 2	

8

7

6

5

4

3

2

1

8

7

6

5

4

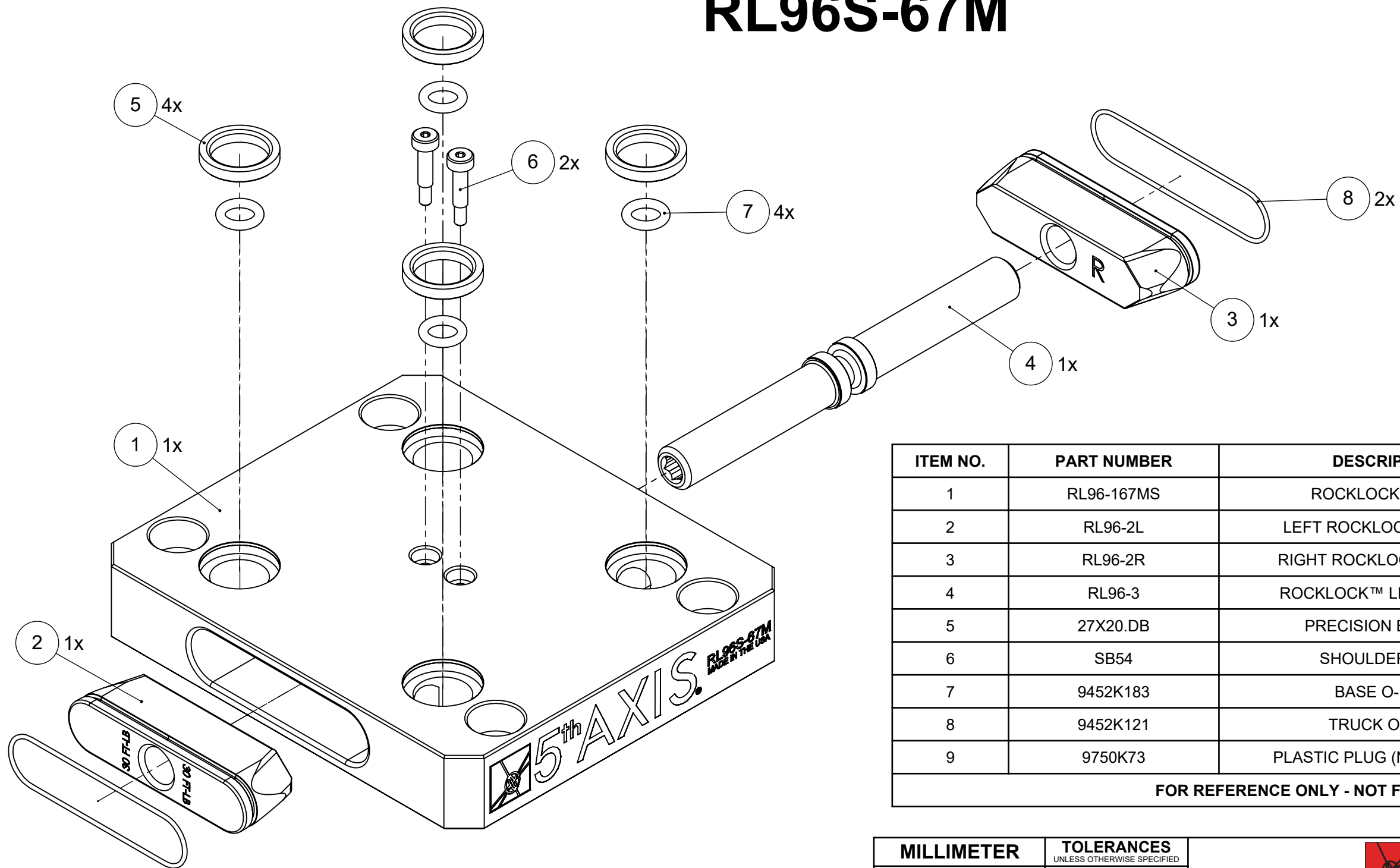
3

2

1

MATERIAL:
RL96S-67M: 1018 STEEL BODY

RL96S-67M



ITEM NO.	PART NUMBER	DESCRIPTION	QTY.
1	RL96-167MS	ROCKLOCK™ BASE	1
2	RL96-2L	LEFT ROCKLOCK™ TRUCK	1
3	RL96-2R	RIGHT ROCKLOCK™ TRUCK	1
4	RL96-3	ROCKLOCK™ LEAD SCREW	1
5	27X20.DB	PRECISION BUSHING	4
6	SB54	SHOULDER BOLT	2
7	9452K183	BASE O-RING	4
8	9452K121	TRUCK O-RING	2
9	9750K73	PLASTIC PLUG (NOT SHOWN)	4

FOR REFERENCE ONLY - NOT FOR RESALE

MILLIMETER <small>DRAWN IN ACCORDANCE WITH ASME Y14.5-2009</small> <small>WWW.5THAXIS.COM</small> <small>7140 ENGINEER ROAD SAN DIEGO, CA 92111</small> <small>P (858) 505-0432 F (858) 505-9344</small>	TOLERANCES <small>UNLESS OTHERWISE SPECIFIED</small> x ± 0.1 .xx ± 0.01 .x ± 0.05 .xxx ± 0.005 ANGULAR ± 0.5° <small>THIRD ANGLE PROJECTION</small>		
		DESCRIPTION ROCKLOCK™ 96MM LOW-PROFILE BASE	
SIZE B		PART NO. RL96S-67M	REV A
<small>DO NOT SCALE DRAWING</small>		<small>SCALE 2:3</small>	<small>WEIGHT:</small>
			<small>SHEET 2 OF 2</small>

8

7

6

5

4

3

2

1

D

D

C

C

B

B

A

A