

8

7

6

5

4

3

2

1

D

D

C

C

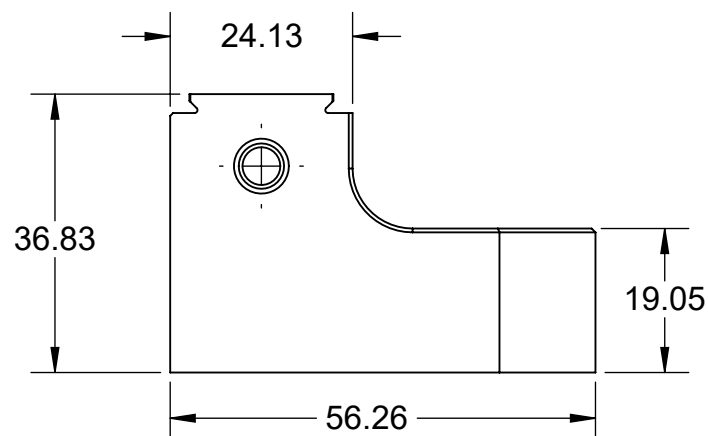
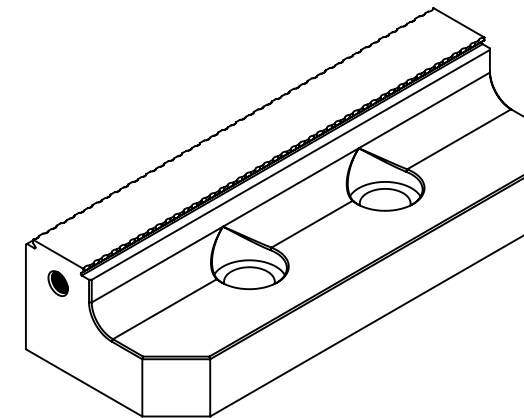
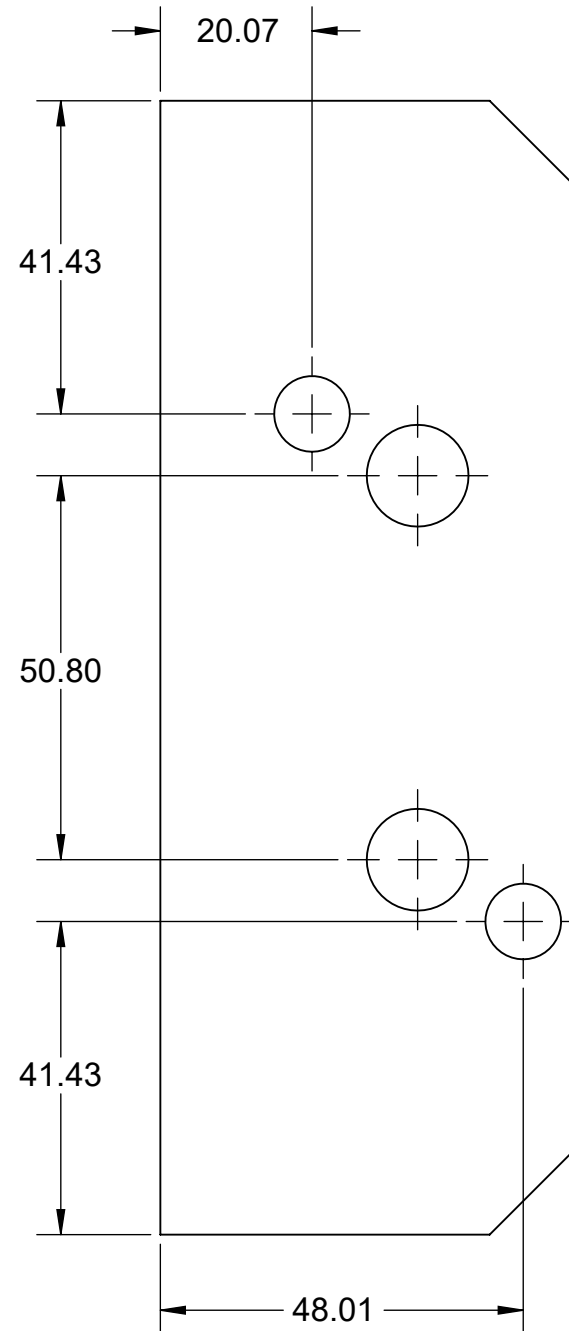
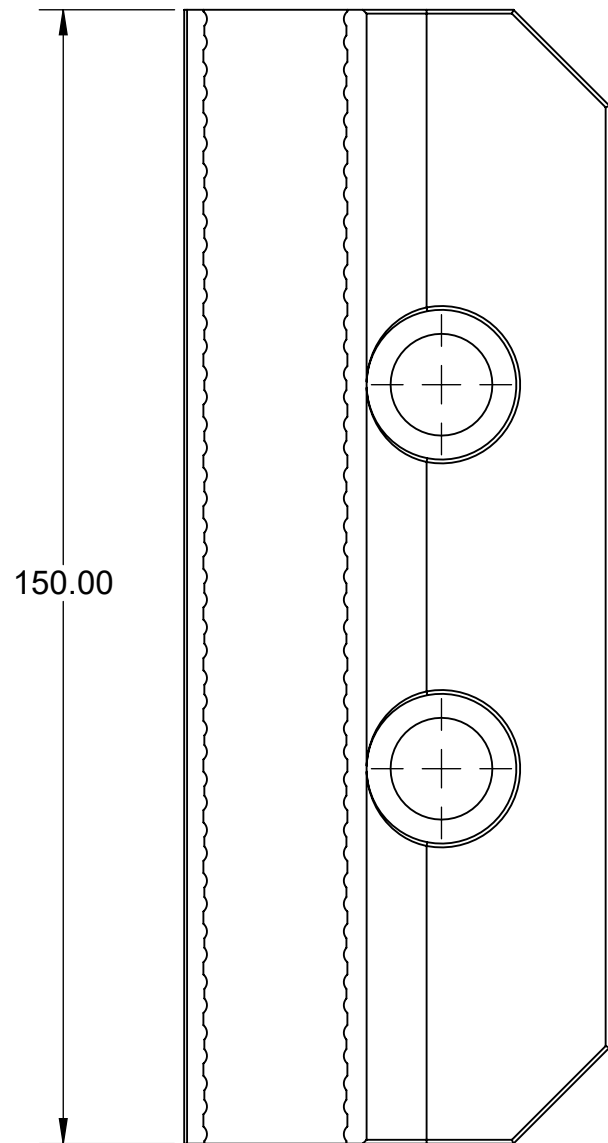
B


B

A

A

V6105M-5



MILLIMETER		TOLERANCES UNLESS OTHERWISE SPECIFIED		 REPLACEMENT MASTER JAW	
DRAWN IN ACCORDANCE WITH ASME Y14.5-2009		x ± 0.1 .xx ± 0.01 .x ± 0.05 .xxx ± 0.005 ANGULAR ± 0.5° THIRD ANGLE PROJECTION			
WWW.5THAXIS.COM		THIRD ANGLE PROJECTION		DESCRIPTION	
7140 ENGINEER ROAD SAN DIEGO, CA 92111		THIRD ANGLE PROJECTION		REPLACEMENT MASTER JAW	
P (858) 505-0432 F (858) 505-9344		THIRD ANGLE PROJECTION		SIZE	REV
		THIRD ANGLE PROJECTION		B	A
		THIRD ANGLE PROJECTION		PART NO. V6105M-5	
		THIRD ANGLE PROJECTION		DO NOT SCALE DRAWING	
		THIRD ANGLE PROJECTION		SCALE 1:1	
		THIRD ANGLE PROJECTION		WEIGHT:	
		THIRD ANGLE PROJECTION		SHEET 1 OF 1	

8

7

6

5

4

3

2

1