

8

7

6

5

4

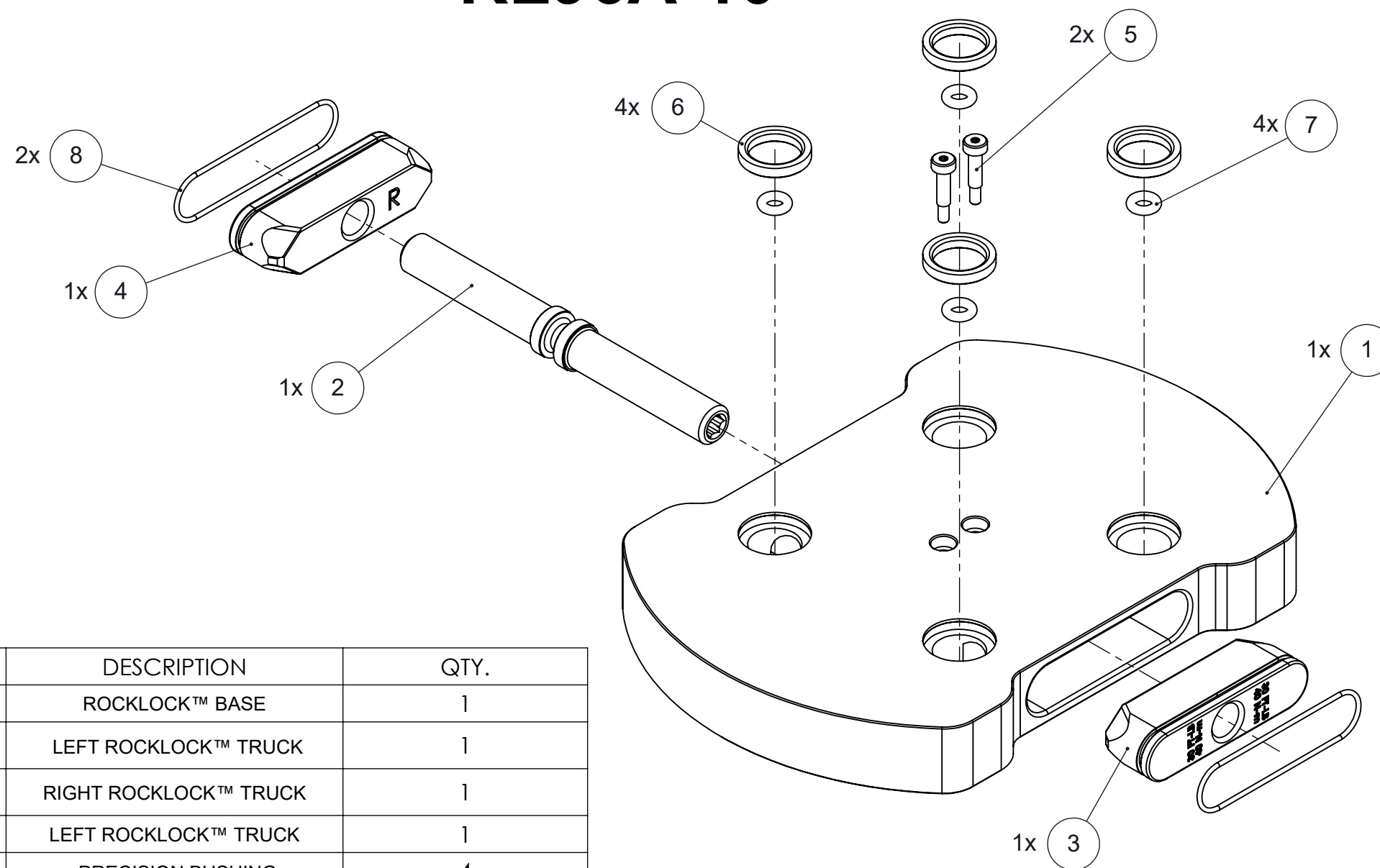
3

2

1

MATERIAL:
RL96A-10: 6061 ALUMINUM BODY

RL96A-10



ITEM NO.	PART NUMBER	DESCRIPTION	QTY.
1	RL96-110A	ROCKLOCK™ BASE	1
2	RL96-2L	LEFT ROCKLOCK™ TRUCK	1
3	RL96-2R	RIGHT ROCKLOCK™ TRUCK	1
4	RL96-3	LEFT ROCKLOCK™ TRUCK	1
6	27X20.DB	PRECISION BUSHING	4
6	SB54	SHOULDER BOLT	2
5	9452K183	BASE O-RING	4
7	9452K121	TRUCK O-RING	2
8	9750K73	PLASTIC PLUG (NOT SHOWN)	4

FOR REFERENCE ONLY - NOT FOR RESALE

MILLIMETER

DRAWN IN ACCORDANCE WITH
 ASME Y14.5-2009

WWW.5THAXIS.COM

7140 ENGINEER ROAD
 SAN DIEGO, CA 92111

P (858) 505-0432
 F (858) 505-9344

TOLERANCES

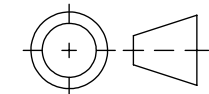
UNLESS OTHERWISE SPECIFIED

x ± 0.1 .xx ± 0.01

.x ± 0.05 .xxx ± 0.005

ANGULAR ± 0.5°

THIRD ANGLE PROJECTION



5th AXIS

DESCRIPTION

96mm LOW PROFILE BASE, ALUMINUM

SIZE
B

PART NO.

RL96A-10

REV
A

DO NOT SCALE DRAWING

SCALE 1:1

WEIGHT: 2.3KG

SHEET 1 OF 1

8

7

6

5

4

3

2

1

8

7

6

5

4

3

2

1

MATERIAL:
RL96A-10: 6061 ALUMINUM BODY

RL96A-10

D

D

C

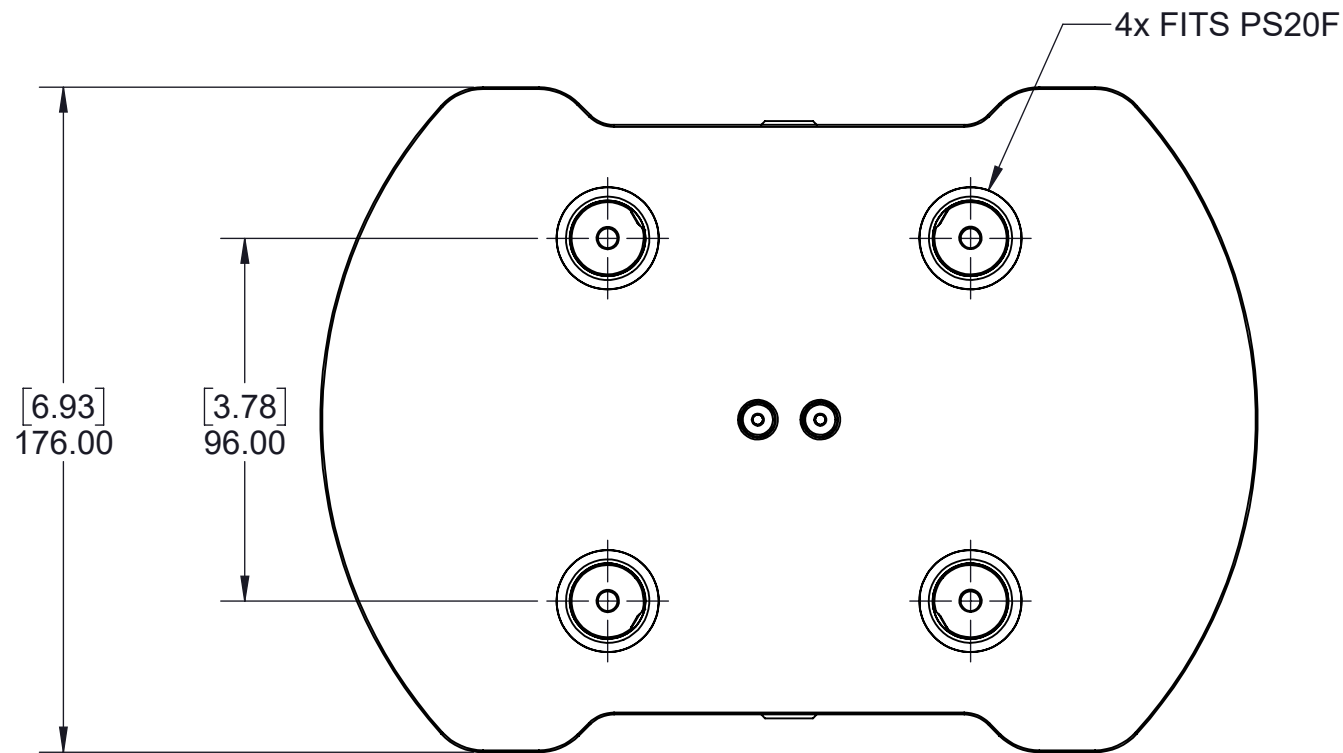
C

B

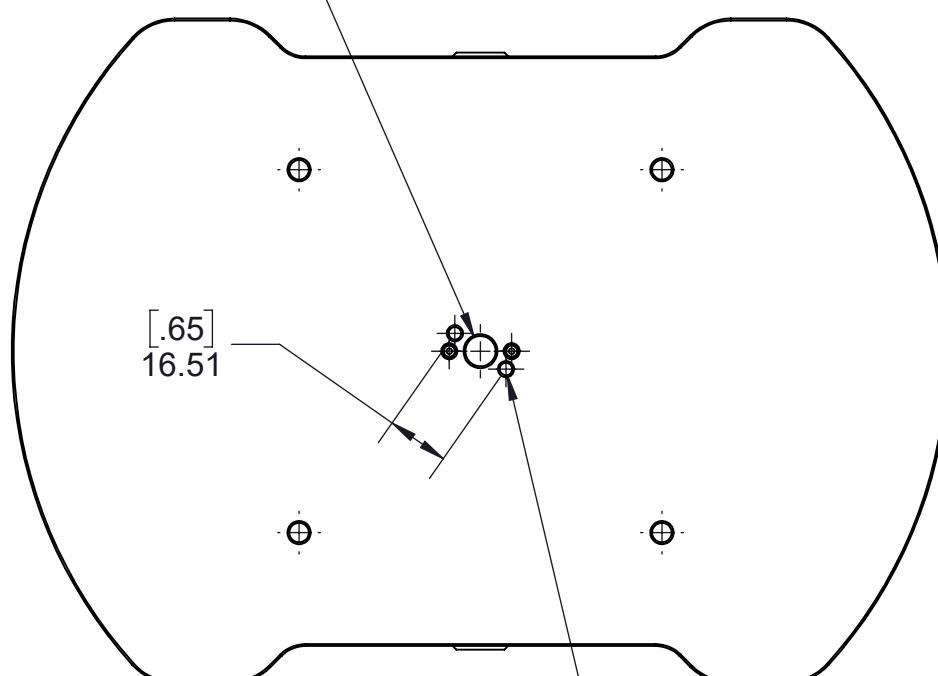
B

A

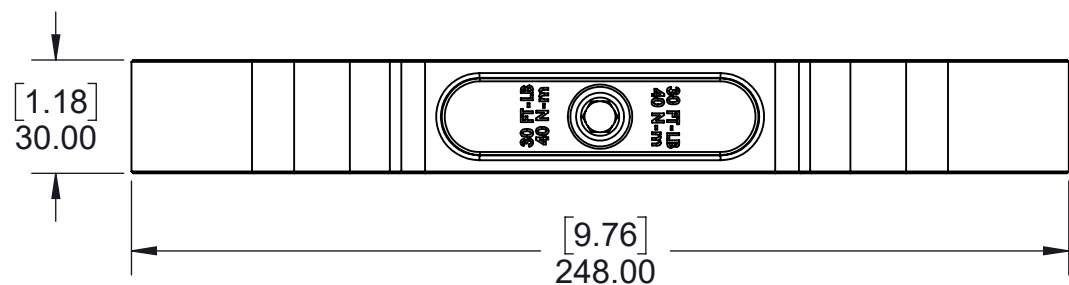
A



$.1580^{+.0005}$
 $-.0000$
R4.013 $^{+0.013}$
 0.000



2 x ϕ 3.300 [0.13] ∇ 5.84 [0.23]
M4X0.7 - 6H ∇ 5.08 [0.20]



MILLIMETER <small>DRAWN IN ACCORDANCE WITH ASME Y14.5-2009</small>	TOLERANCES <small>UNLESS OTHERWISE SPECIFIED</small> x ± 0.1 .xx ± 0.01 .x ± 0.05 .xxx ± 0.005 ANGULAR ± 0.5° THIRD ANGLE PROJECTION			
	<small>WWW.5THAXIS.COM</small> 7140 ENGINEER ROAD SAN DIEGO, CA 92111 P (858) 505-0432 F (858) 505-9344	DESCRIPTION 96mm LOW PROFILE BASE, ALUMINUM		
SIZE B PART NO. RL96A-10 REV A		<small>DO NOT SCALE DRAWING</small>	<small>SCALE 1:1</small>	<small>WEIGHT: 2.3KG</small>
		<small>SHEET 1 OF 1</small>		

8

7

6

5

4

3

2

1

8

7

6

5

4

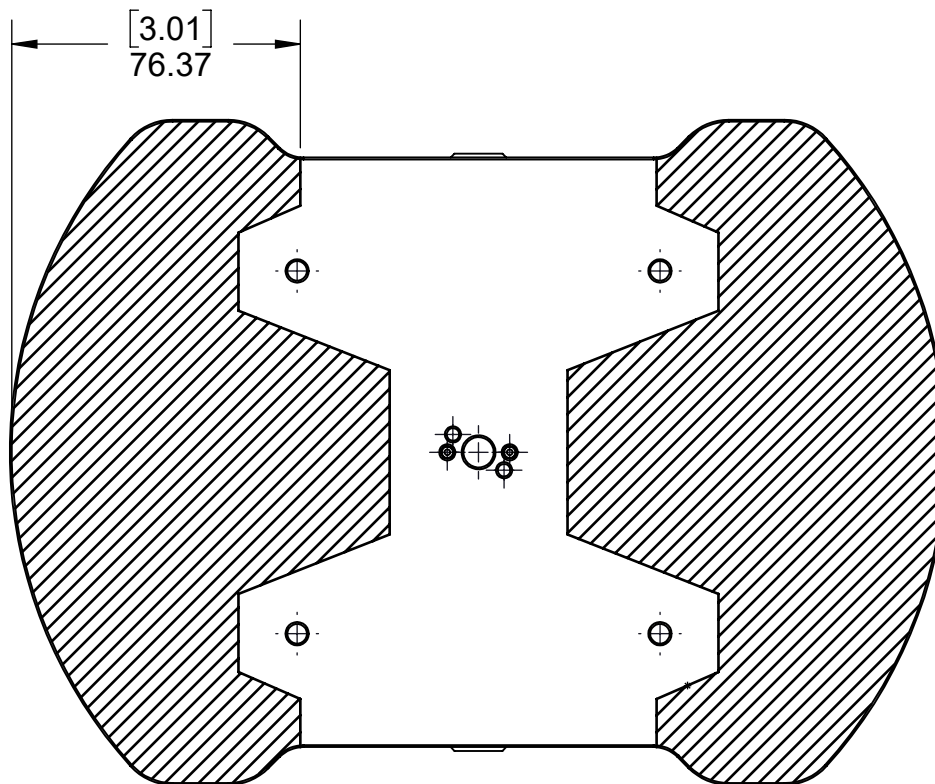
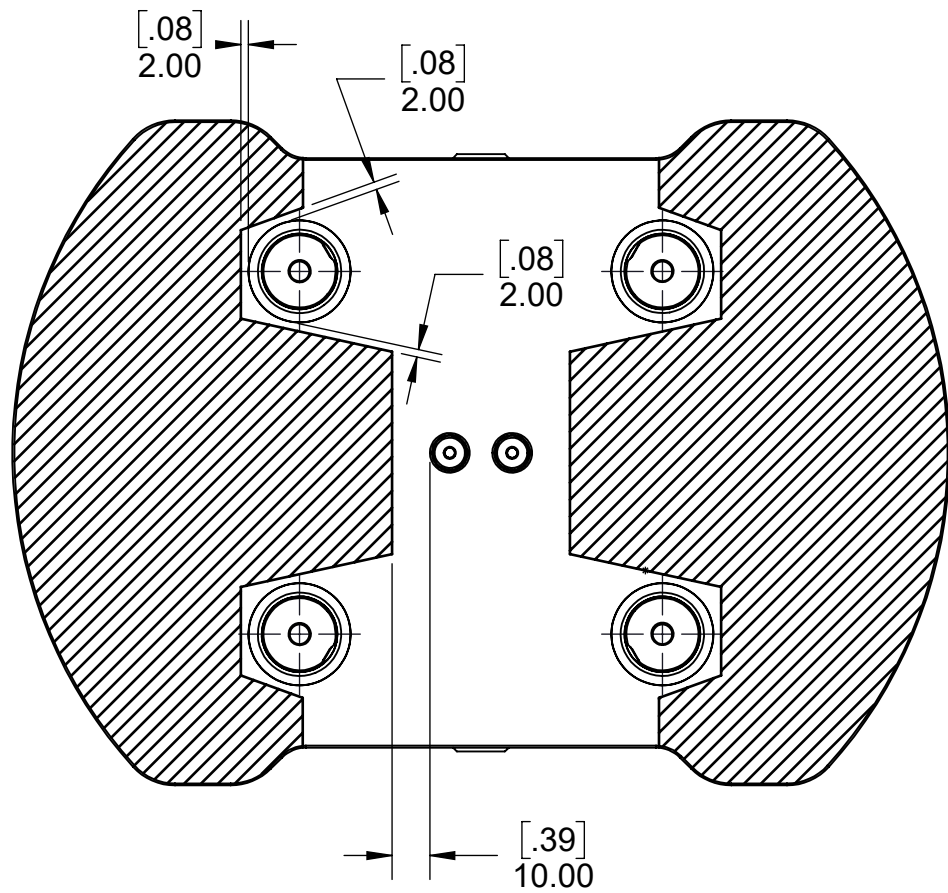
3


2

1

DRILL YOUR OWN MOUNTING HOLES IN SHADED AREA

RL96A-10



MILLIMETER <small>DRAWN IN ACCORDANCE WITH ASME Y14.5-2009</small>	TOLERANCES <small>UNLESS OTHERWISE SPECIFIED</small> x ± 0.1 .xx ± 0.01 .x ± 0.05 .xxx ± 0.005 ANGULAR ± 0.5° <small>THIRD ANGLE PROJECTION</small>				
	<small>WWW.5THAXIS.COM</small> 7140 ENGINEER ROAD SAN DIEGO, CA 92111 P (858) 505-0432 F (858) 505-9344				<small>DESCRIPTION</small> 96mm LOW PROFILE BASE, ALUMINUM
		<small>DO NOT SCALE DRAWING</small>	<small>SCALE 1:1</small>	<small>WEIGHT: 2.3KG</small>	<small>SHEET 1 OF 1</small>

8

7

6

5

4

3

2

1