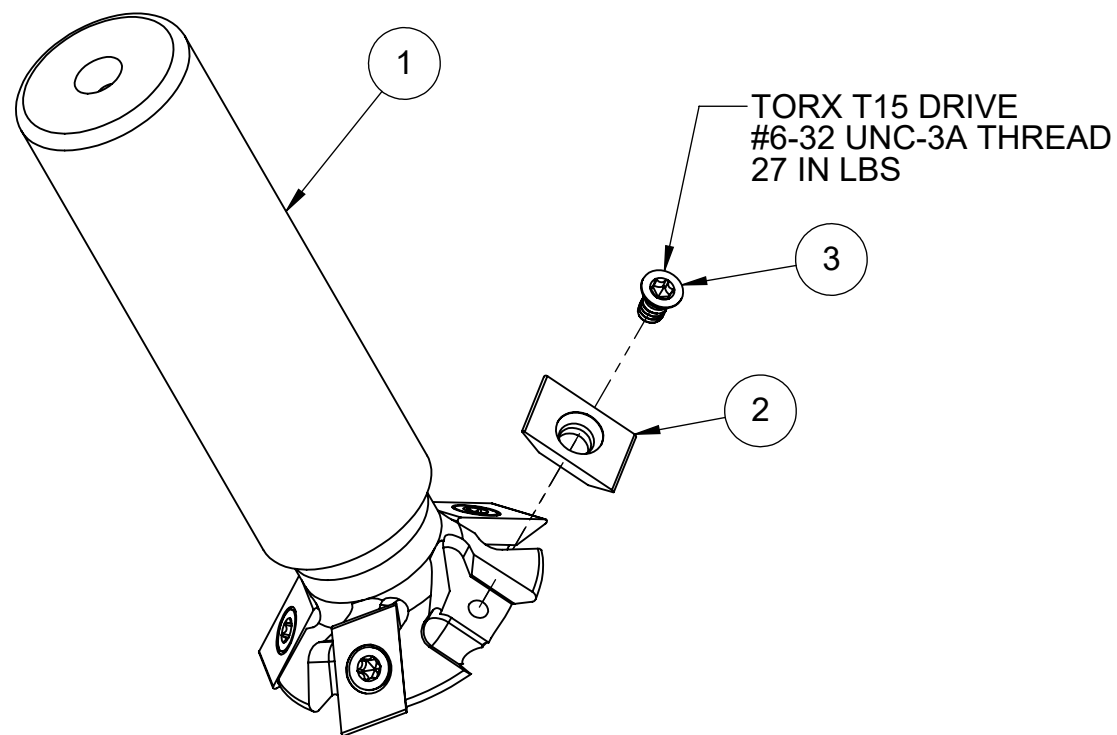
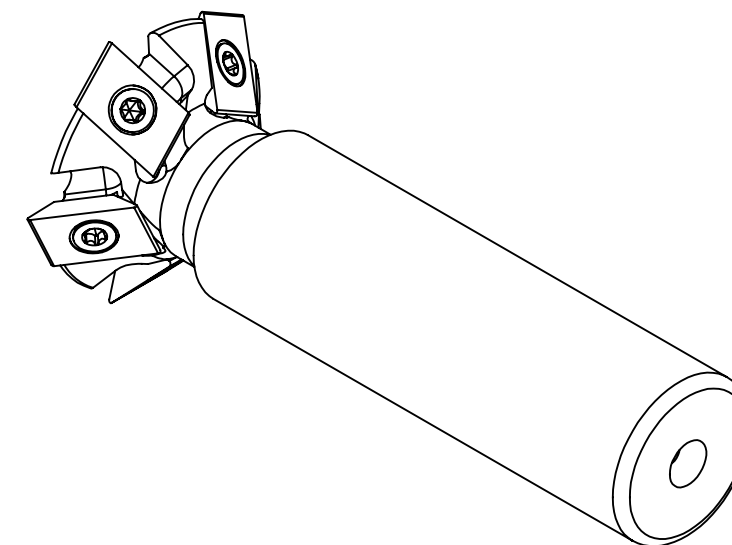
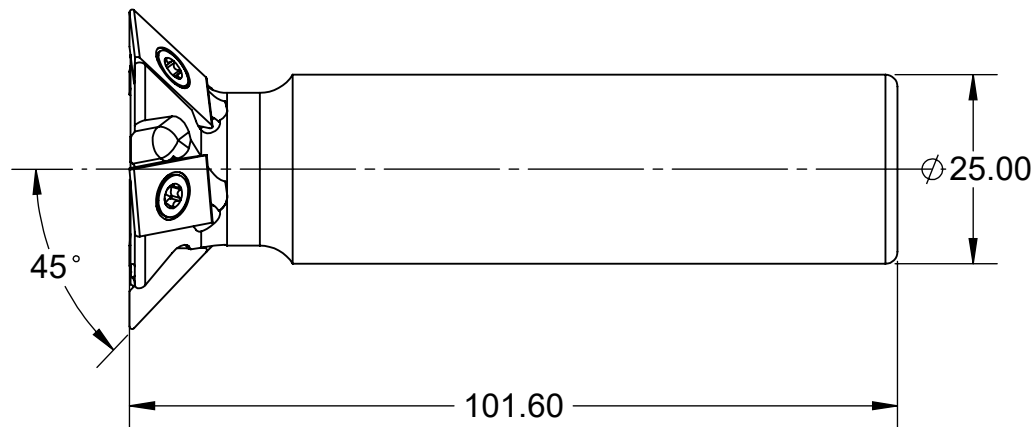
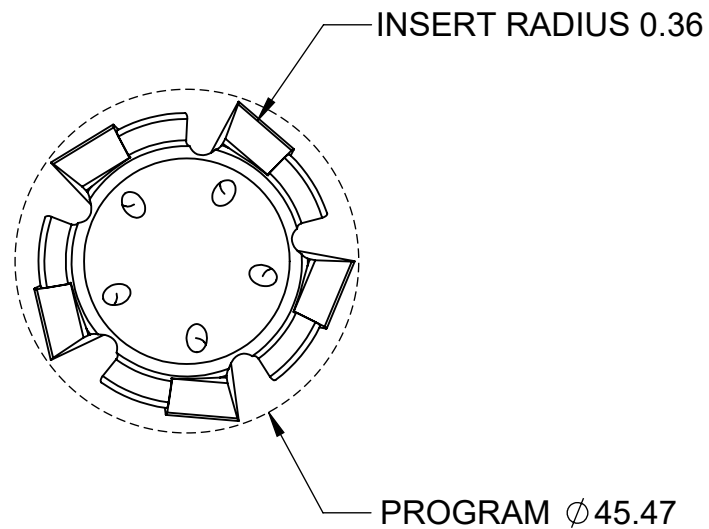


MATERIAL: H13 TOOL STEEL
 COMPATIBLE WITH ALL 5TH AXIS DOVETAIL PRODUCT

DC1750-M



ITEM NO.	PART NUMBER	DESCRIPTION	QTY.
1	DC1750-M45	DOVETAIL CUTTER BODY	1
2	DC1750-B	INSERT	5
3	DC1750-S	SET SCREW	5
FOR REFERENCE ONLY - NOT FOR RESALE			

INCH	TOLERANCES UNLESS OTHERWISE SPECIFIED		5th AXIS		
	DRAWN IN ACCORDANCE WITH ASME Y14.5-2009	x ± 0.1 .xx ± 0.01 .x ± 0.05 .xxx ± 0.005 ANGULAR ± 0.5° THIRD ANGLE PROJECTION			DESCRIPTION DOVETAIL CUTTER, 45°, METRIC
WWW.5THAXIS.COM			SIZE B	PART NO. DC1750-M	REV A
7140 ENGINEER ROAD SAN DIEGO, CA 92111 P (858) 505-0432 F (858) 505-9344			DO NOT SCALE DRAWING	SCALE 1:1	WEIGHT: